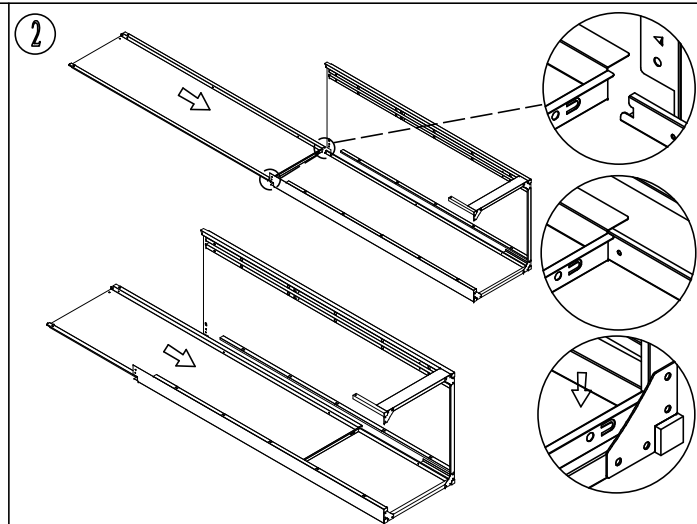
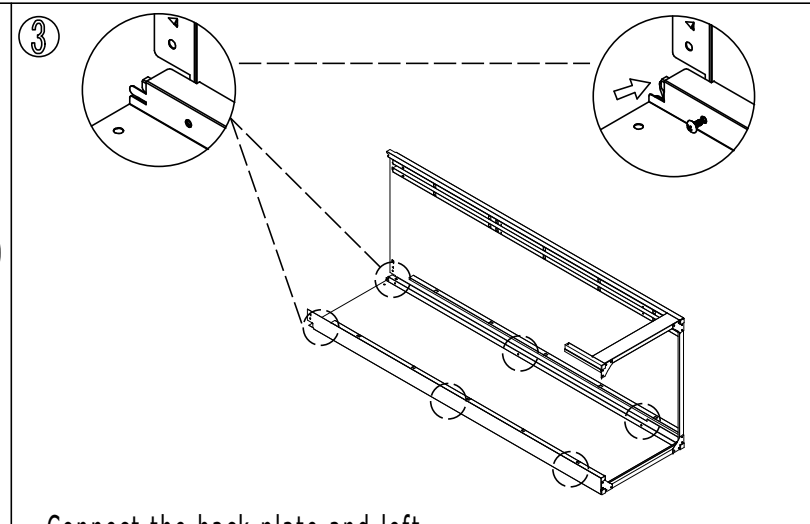


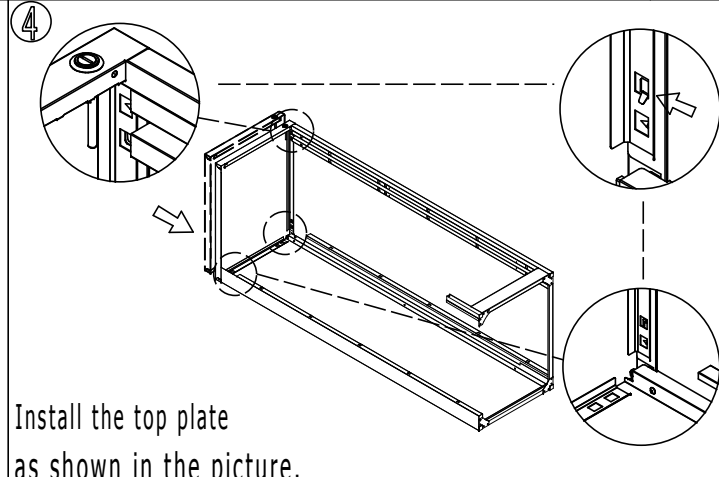
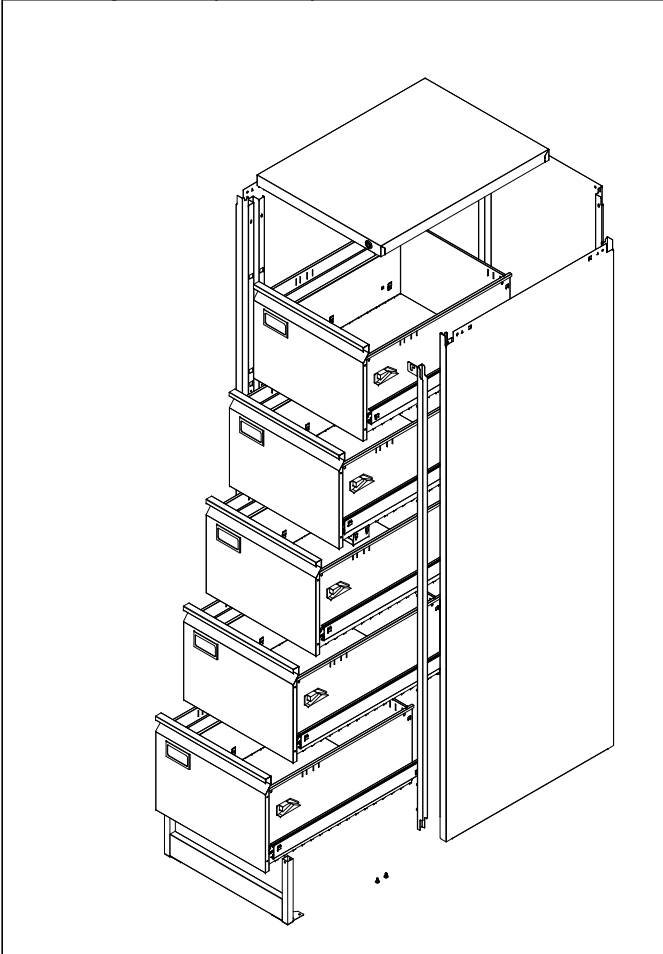
1 Connect the front and back base with left and right side plates by screws.



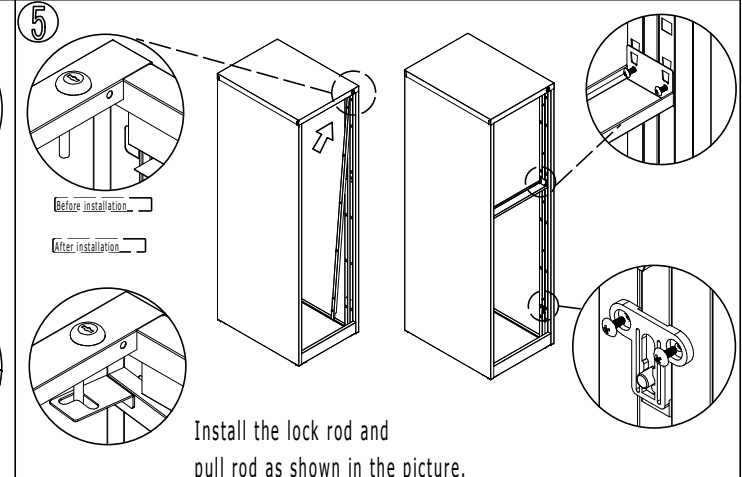
2 Install the back plate from top to bottom.



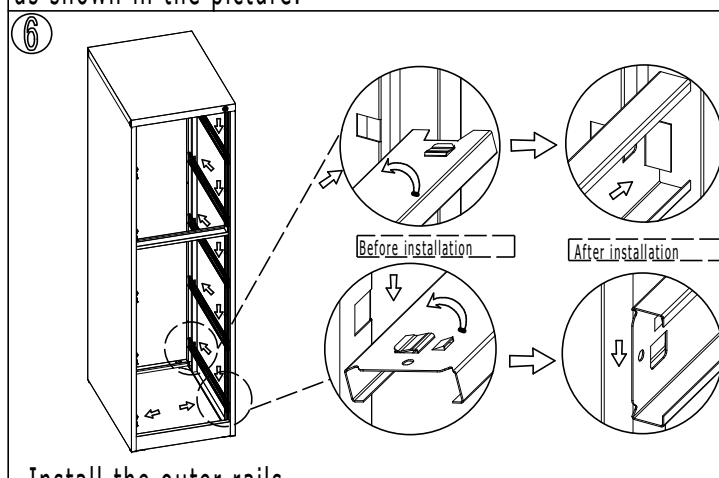
3 Connect the back plate and left and right side plates by screws.



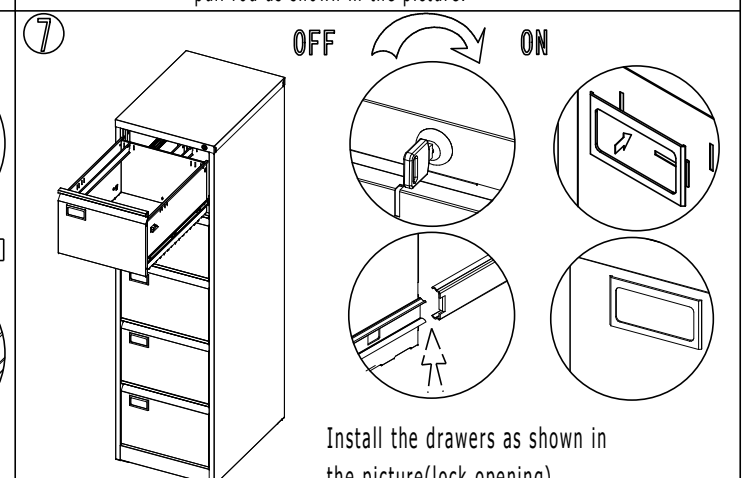
4 Install the top plate as shown in the picture.



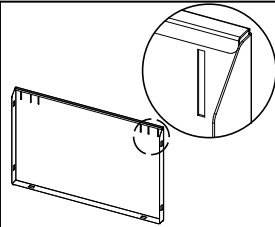
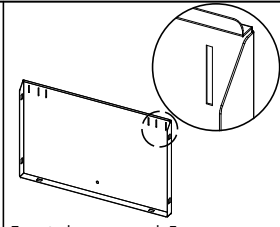
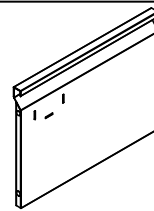
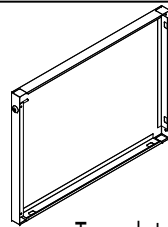
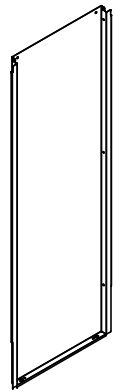
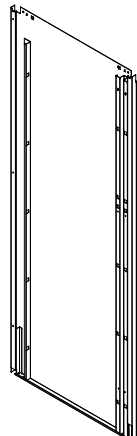
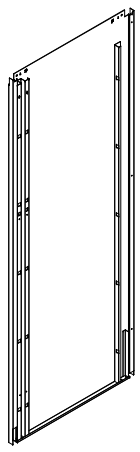
5 Install the lock rod and pull rod as shown in the picture.



6 Install the outer rails.



7 Install the drawers as shown in the picture(lock opening).



Left side plate:1 pc

Right side plate:1 pc

Back plate:1 pc

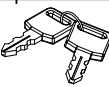
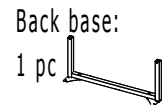
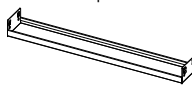
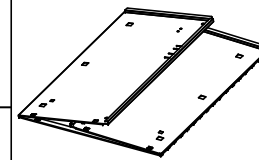
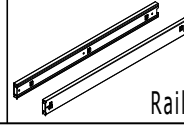
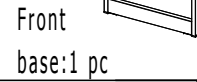
Lock Rod:1 pc

Top plate:1 pc

Front panel:5 pcs

Front drawer seal:5 pcs

Back drawer seal:5 pcs



Front base:1 pc

Rail:5 sets

Screw:20 pcs

Pull rod:1 pc

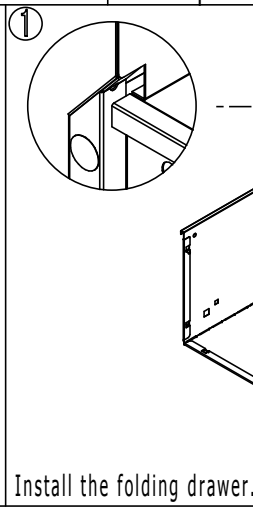
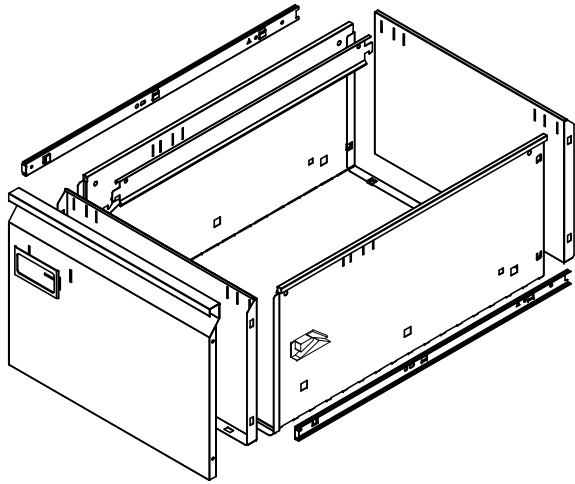
Back base:1 pc

Hanging bar:5 pcs

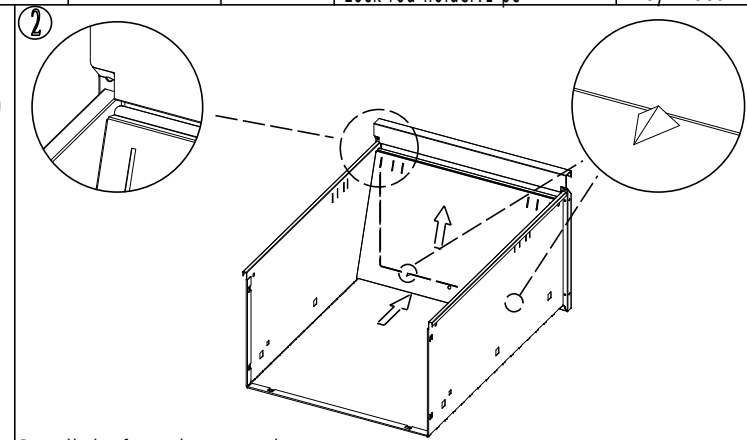
Drawer box:5 pcs

Lock rod holder:1 pc

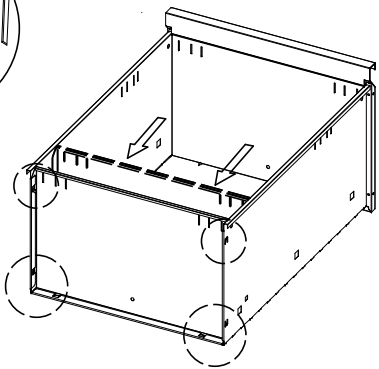
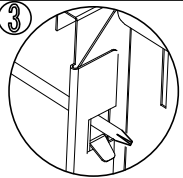
Key:1 set



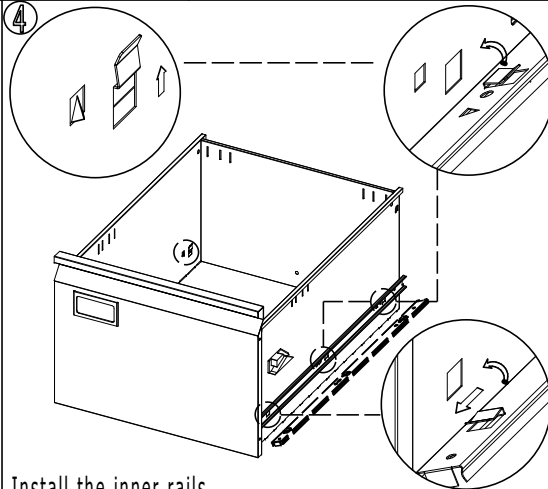
Install the folding drawer.



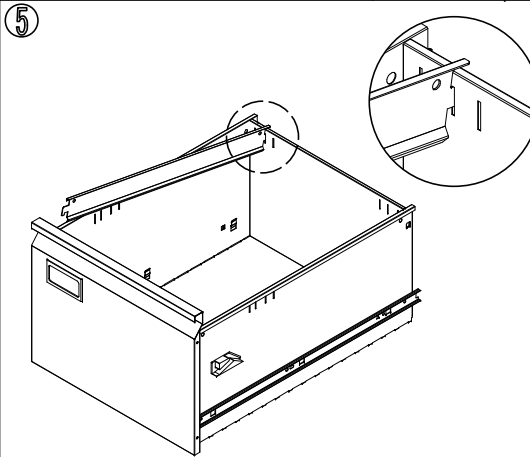
Install the front drawer seal as shown in the picture.



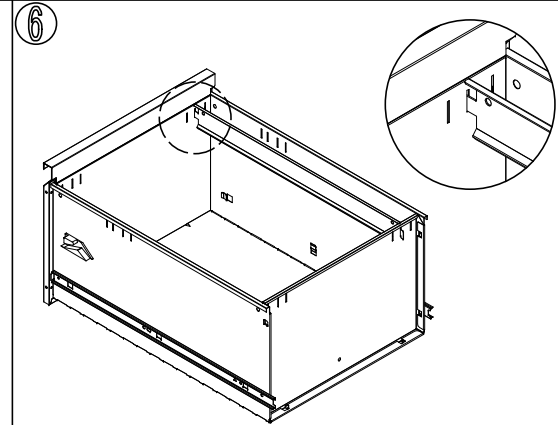
Install the drawer panel as shown in the picture.



Install the inner rails.



Install the hanging bar.



Fix the hanging bar with drawer panels as shown in the picture.